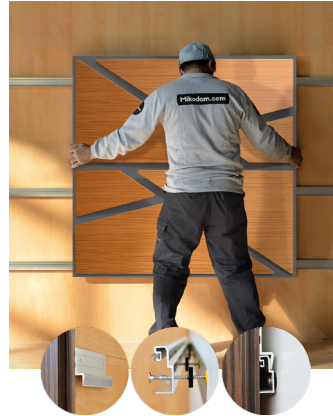


WDETANA1AALGRBNTK

TEAK

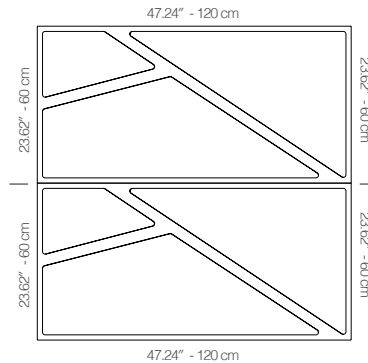
47.24" x 23.62" (120 x 60 cm) panels come in sets of two. 23.62" x 23.62" (60 x 60 cm) panels come in sets of four. The number of panels per box is the minimum suggested amount to create the design envisioned by Mikodam.



CEILING APPLICATION



DIMENSIONS



- X** : 23.62" - 60 cm
- Y** : 47.24" - 120 cm
- D** : 3.42" - 8.7 cm
- W** : 26.0 lbs - 11.8 kg

*Perforated surface options with two different diameters are available.
Rail depth is not included in the measurements.
(Depth of rail: 1" - 2.5 cm)
**Can be used with baseboard upon request.